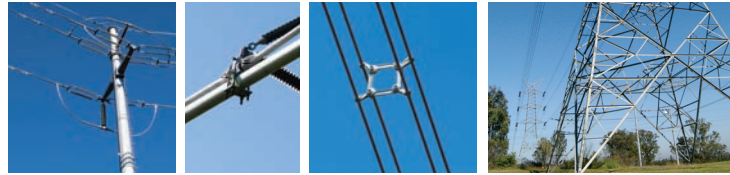


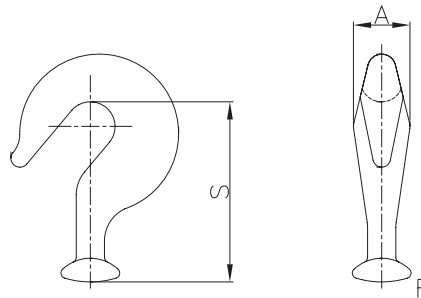
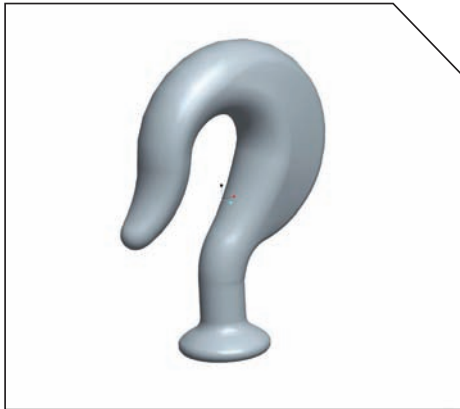
HARDWARE FITTINGS



BALL ENDED HOOK

BRITISH STANDARD (BS)

Part Number	Drawing Number	Ref Code	Min. Breaking Strength (kN)	A (mm)	S (mm)	F Ball (mm)
481668-000	DK94002	15/81	70	32	102	16

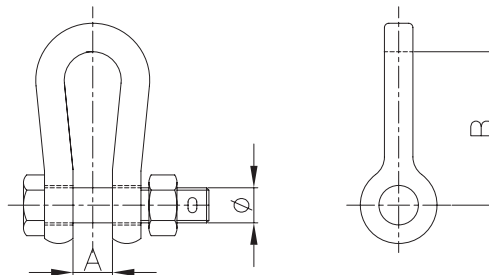
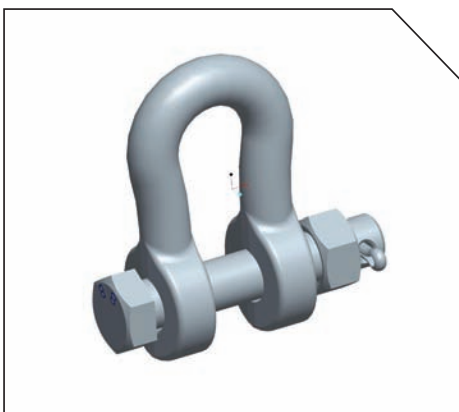


Material: Galvanized Forged Steel

SHACKLES

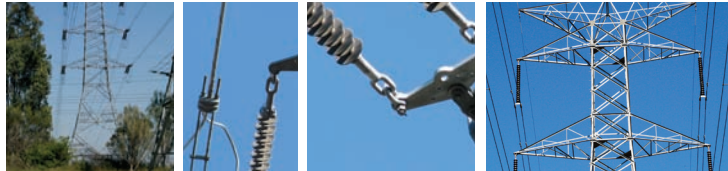
BRITISH STANDARD (BS)

Part Number	Drawing Number	Ref Code	Min. Breaking Strength (kN)	A (mm)	B (mm)	Bolt Size (mm)
323588-000	DK93022/02	15/33A	70	18 ⁺³ ₋₀	70	Ø16



Material: Galvanized Forged Steel

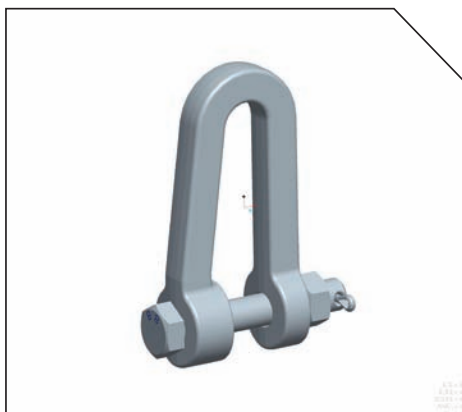
HARDWARE FITTINGS



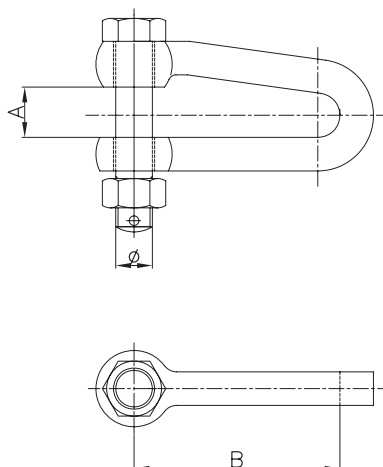
SHACKLES (CONT.)

BRITISH STANDARD (BS)

Part Number	Drawing Number	Ref Code	Min. Breaking Strength (kN)	A (mm)	B (mm)	Bolt Size (mm)
768870-000	DK93122	28/34A ("XL")	125	33	135	Ø20
821532-000	DK93222	42/34A ("XH")	190	33	135	Ø24
CL3533-000	DK93322	67/34A ("XT")	300	33	135	Ø27

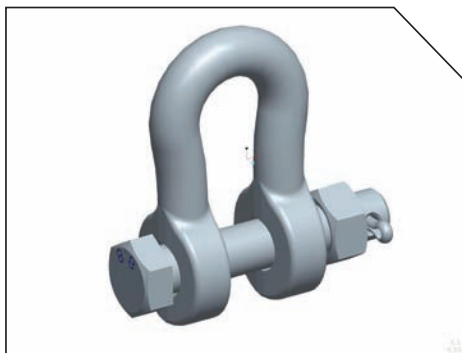


Material: Galvanized Forged Steel

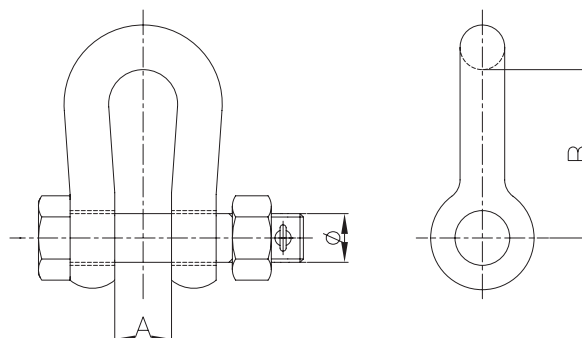


BRITISH STANDARD (BS)

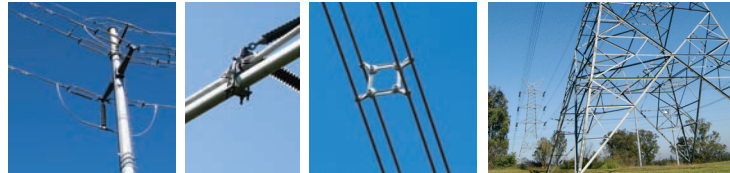
Part Number	Drawing Number	Ref Code	Min. Breaking Strength (kN)	A (mm)	B (mm)	Bolt Size (mm)
872144-000	DK93002/03	15/29A	70	19 ⁺³ ₋₀	70	Ø16
327026-000	DK93102/02	28/29A	125	21 ⁺³ ₋₀	76	Ø20
348256-000	DK93202/02	42/29A	190	27 ⁺³ ₋₀	83	Ø22
D95660-000	DK93203	42/103 NO BOLT	190	28 ⁺³ ₋₀	83	-
CJ4225-000	DK93204/02	42/103	190	28 ⁺³ ₋₀	83	Ø24
173978-000	DK93004/02	15/129A	70	22 ⁺³ ₋₀	90	Ø16
A02797-000	DK93207/02	42/129A	190	28 ⁺³ ₋₀	102	Ø30



Material: Galvanized Forged Steel



HARDWARE FITTINGS

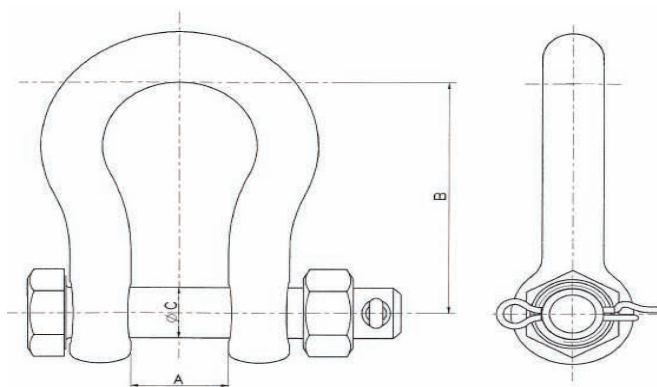
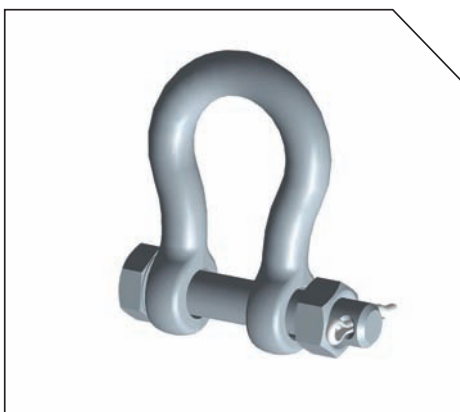


BOW SHACKLE

GENERAL DESIGN

Part Number	Drawing Number	Min. Breaking Strength (kN)	A (mm)	B (mm)	C Bolt Size (mm)
923024-000	A4DD16727T	70	22.5	67	Ø16
808048-000	A4DD14164T*	120	25	73	Ø16
175764-000	A4DD08008T	120	25	73	Ø16
174270-000	A4DD06403T*	160	27	84	Ø20
706406-000	A4DD3514T	160	27	84	Ø20
CB8222-000	A4DD16385T*	260	27	92	Ø20
624894-000	A4DD06404T	260	27	92	Ø20
983190-000	A3DD06491T	350	30	110	Ø24
189082-000	A3DD05767T	460	38	110	Ø32

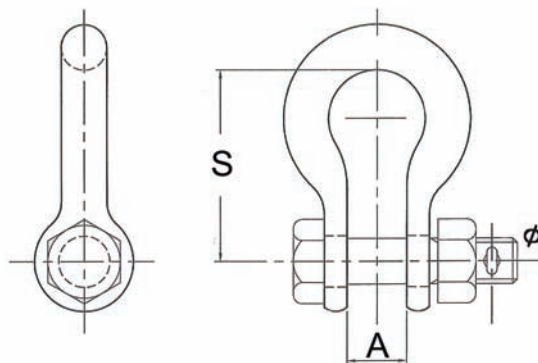
* Assembly with Rivet type



Material: Galvanized Forged Steel

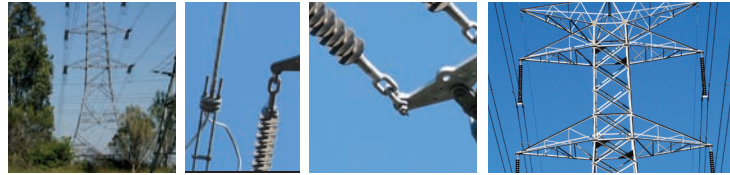
AUSTRALIAN STANDARD (AS)

Part Number	Drawing Number	Ref Code	Min. Breaking Strength (kN)	A (mm)	S (mm)	Bolt Size (mm)
047600-000	S70A	PLP-S70A	70	22.5	67	Ø16
099226-000	22606	PLP-S70Q	70	22.5	67	Ø16
894094-000	S120A	PLP-S120A	120	22.5	67	Ø16



Material: Galvanized Forged Steel

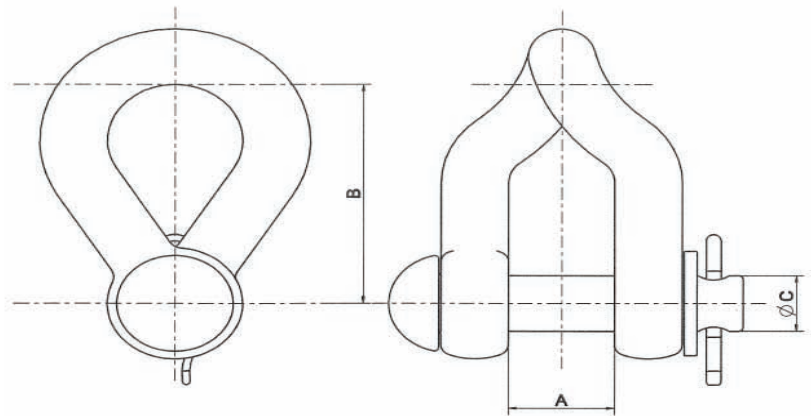
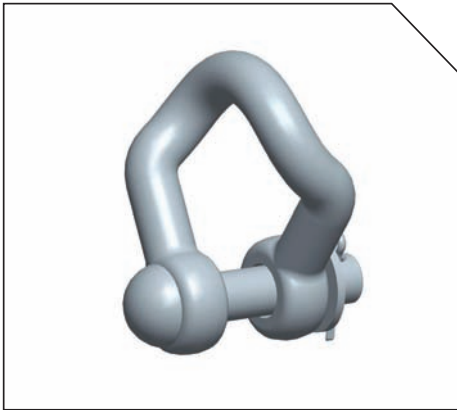
HARDWARE FITTINGS



TWISTED BOW SHACKLE

Part Number	Drawing Number	Min. Breaking Strength (kN)	A (mm)	B (mm)	C Bolt Size (mm)
536270-000	A4DD1528T	120	25	63	Ø16
493868-000	A4DD09791T*	120	25	63	Ø16
350114-000	A4DD1057T	160	25	75	Ø20
A78971-000	A4DD08439T*	160	25	75	Ø20
C40336-000	A4DD08566T*	210	26	85	Ø22

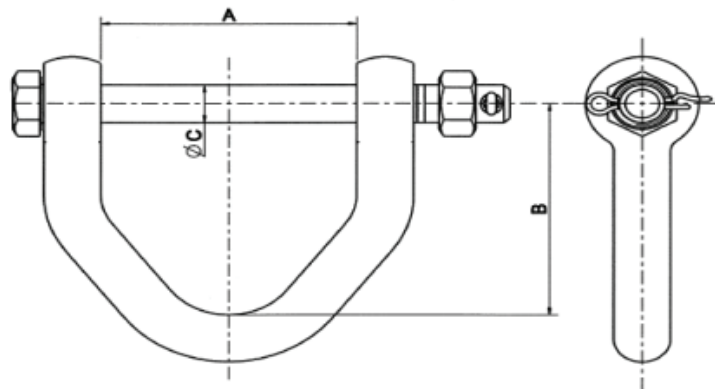
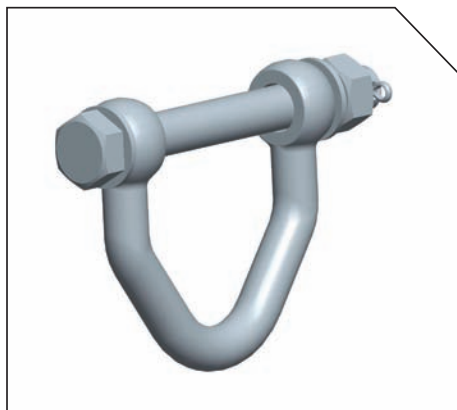
* Assembly with bolt type



Material: Galvanized Forged Steel

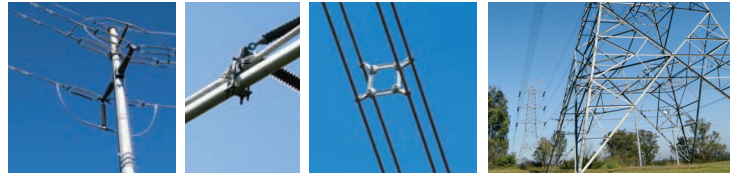
V SHACKLE BOLT TYPE

Part Number	Drawing Number	Min. Breaking Strength (kN)	A (mm)	B (mm)	C Bolt Size (mm)
662376-000	A4DD17639T	120	90	90	Ø16
176088-000	A3DD4429T	120	90	90	Ø20
F60684-000	A4DD11469T	230	90	220	Ø22



Material: Galvanized Forged Steel

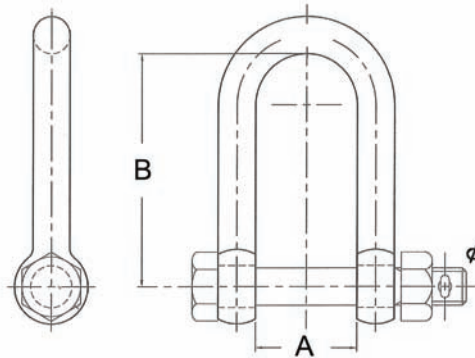
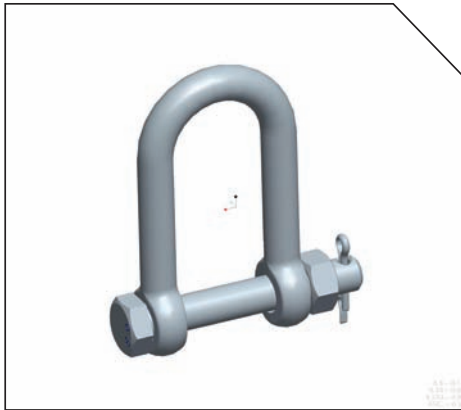
HARDWARE FITTINGS



D SHACKLES

AUSTRALIAN STANDARD (AS)

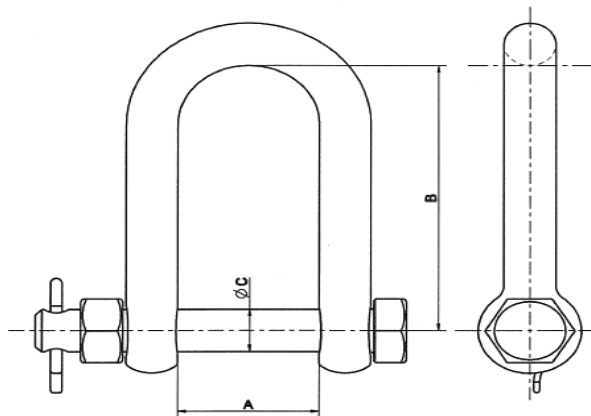
Part Number	Drawing Number	Ref Code	Min. Breaking Strength (kN)	A (mm)	B (mm)	Bolt Size (mm)
F95158-000	SD70A	PLP-SD70A	70	44	100	Ø16
E82402-000	SD70Q	PLP-SD70Q	70	44	100	Ø16



Material: Galvanized Forged Steel

STIRRUP

Part Number	Drawing Number	Min. Breaking Strength (kN)	A (mm)	B (mm)	C Bolt Size (mm)
E00829-000	A4DD14163T	120	44	100	Ø16
313834-000	A4DD16377T	120	66	140	Ø16



Material: Galvanized Forged Steel